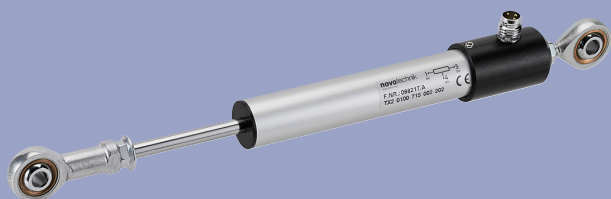


**Position Transducer  
Pivot head Mounting  
potentiometric  
up to 300 mm, IP67**

Series TX2



**Special features**

- outstanding linearity up to  $\pm 0.05\%$
- resolution better than 0.01 mm
- sealed to IP67 - suitable for harsh environmental conditions (moisture, oil, dust)
- very long life - up to 50 million movements (application dependent)
- compact dimensions =  $\varnothing 16$  mm
- easy to assemble via low backlash pivot heads with a large angle of freedom (up to  $\pm 12.5$  degrees)
- cable or plug connection optional

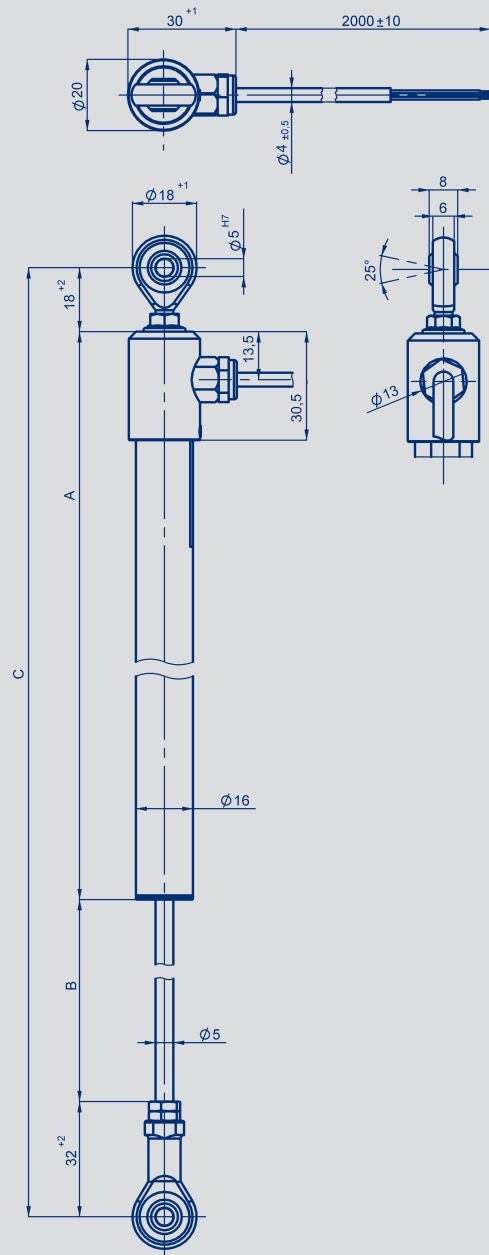
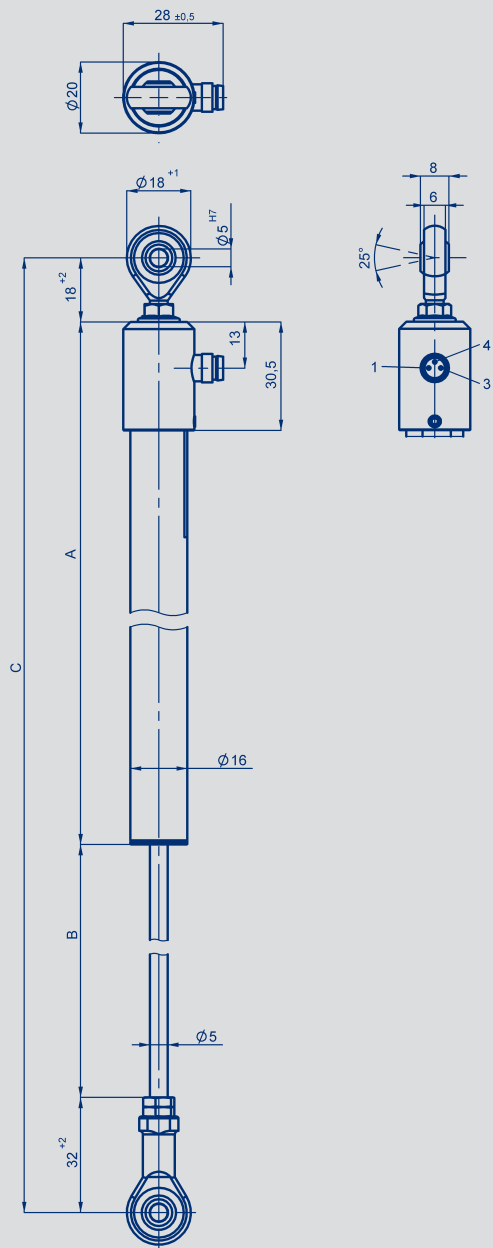
High protection class and very compact dimensions characterize this inexpensive transducer. The heavy-duty design together with metal flanges and double sealed actuating rod make the TX2 Series an ideal choice for applications used in adverse environments with dirt, dust and humidity.

Users with mobile applications can especially benefit from the TX2 Series' pivot-head mounting.

The electrical connection is made by radial plug connector or radial cable.

For transducers with and without return spring and mounting clamp, central thread or flange plates see separate TEX-series data sheets.

Description	
Housing	Aluminium, anodized
Mounting	see drawing
Actuating rod	stainless steel, (1.4305), rotatable
Bearings	sintered bronze bush
Resistance element	conductive plastic
Wiper assembly	precious metal multi-finger wiper
Electrical connections	3-pin round connector M8x1 4-wire PUR-cable, 4x0.14 mm <sup>2</sup> , shielded, 2 m length



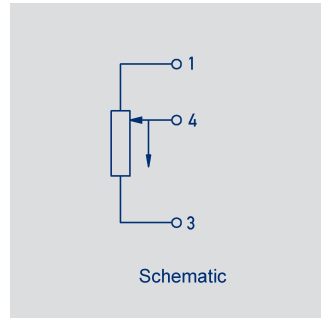
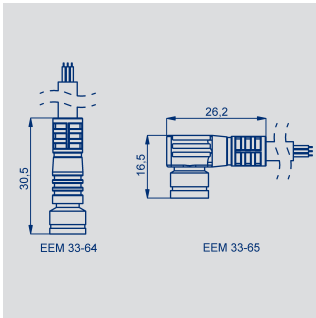
Type designations	TX2 0025	TX2 0050	TX2 0075	TX2 0100	TX2 0150	TX2 0200	TX2 0250	TX2 0300	
<b>Electrical Data</b>									
Defined electrical range	25	50	75	100	150	200	250	300	mm
Electrical range	27	52	77	102	155	205	255	305	mm
Nominal resistance	1	2	3	4	6	8	10	12	kΩ
Resistance tolerance	20								±%
Independent linearity	0.2	0.1	0.1	0.1	0.05	0.05	0.05	0.05	±%
Repeatability	0.01								mm
Recommended operating wiper current	≤ 1								μA
Maximum wiper current (in case of system malfunction)	10								mA
Maximum permissible applied voltage	42								V
Effective temperature coefficient of the output-to-applied voltage ration	typical 5								ppm/K
Insulation resistance (500 VDC)	≥ 10								MΩ
Dielectric strength (500 VAC, 50 Hz)	≤ 100								μA
<b>Mechanical Data</b>									
Body length (dimension A)	86	111	136	161	224	274	324	374	±1 mm
Mechanical stroke (dimension B)	30	55	80	105	158	208	258	308	±1 mm
Minimum distance between pivot heads, nominal (dimension C)	136	161	186	211	274	324	374	424	mm
Weight approx.									
with connector (101)	100	110	120	130	150	163	190	205	g
with cable (202)	120	156	160	177	190	225	250	270	g
Operating force horizontal	< 5 (at RD 20° C)								N
Initial operating force	max. 15 (*)								N
<b>Environmental Data</b>									
Temperature range -	-40 ...+85 connector / -20 ...+100 cable								°C
Operating humidity range	0 ... 95 (no condensation)								% R.H.
Vibration	5...2000 Amax = 0.75 mm amax = 20 g								Hz mm g
Shock	50 6								g ms
Life	> 50 x 10 <sup>6</sup> typical								movements
Operating speed	5								m/s max.
Protection class	IP67 - requires mating connector of IP67 or higher IP67 defined under DIN EN 60529 with submersion depth of 1 m water and duration of 0.5 hour. Durability of actuating rod seal is dependent upon both application environment and operating cycles. Read instructions prior to starting application equipment.								

\* Initial operating force is dependent on ambient temperature and inactive time.

Novotechnik U.S., Inc.  
155 Northboro Road  
Southborough, MA 01772

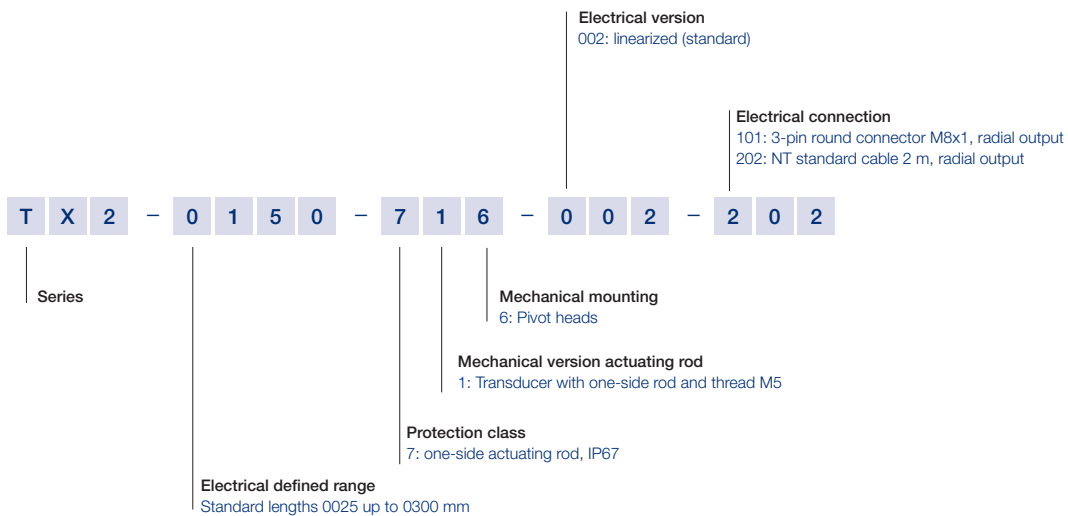
Phone 508 485 2244  
Fax 508 485 2430  
info@novotechnik.com  
www.novotechnik.com

© 06/2018  
Subject to change.



Output connector Code 101	Cable Code 202	Connector with cable EEM 33-64 / -66 / -68 / -65 / -67 / -69
PIN 1	BN brown	BN brown
PIN 4	WH white	BK black
PIN 3	GN green	BU blue

### Ordering specifications



### Optional accessories

PUR-cable with 3-pin female connector M8x1, 3x0.34 mm<sup>2</sup>, IP67, unshielded

2 m length, EEM-33-64, P/N 005617

5 m length, EEM-33-66, P/N 005619

10 m length, EEM-33-68, P/N 005643.

PUR-cable with 3-pin angled female connector M8x1, 3x0.34 mm<sup>2</sup>, IP67, unshielded

2 m length, EEM-33-65, P/N 005618

5 m length, EEM-33-67, P/N 005620

10 m length, EEM-33-69, P/N 005644.

Other cable on request.

MAP - Process-control indicators with display

MUP / MUK Signal conditioners ±24 V power with standard voltage or current output signals.



### Important

All values specified in this data sheet for linearity, lifetime and temperature coefficient are only valid for a sensor used as a voltage divider with virtually no load applied to the wiper <math>\leq 1 \mu\text{A}</math>).