

**Vert-X 26 - 5V / 10 ... 90% Ub / Redundant**

2631-736225SQ6



Image may differ from original

**Technical datas**

Mechanical version	Pilot diameter 32 mm; slide bearing
Shaft	6 mm shaft, D-shape
Accessories (incl.)	No accessories
Sensor principle	MH-C
Electrical angle	Electrical angle 360°
Power supply voltage	5 VDC
Output signal	10% to 90% operating voltage
Output characteristics	Redundant, crossed signal curves
Electrical connection	Connector
Definition of the connector	AMP MQS, 6-pole

**Electrical Datas**

Measuring range	°	0...360
Indep. linearity (typ.)	% of measuring range	±1
Max. hysteresis	°	0.2
Resolution	bit	12
Max. repeatability	°	0.1
Sample rate fast mode	kHz	(5)
Sample rate slow mode	kHz	1.66
System propagation delay fast mode	µs	(800)
System propagation delay slow mode	µs	4600
Max. temperature coefficient of output signal	ppm/K	50
MTTFd / MTBF		upon request
Power supply voltage	VDC	5 (±10%)
Current consumption without load (typ.) fast mode, per channel	mA	(14)
Current consumption without load (typ.) slow mode, per channel	mA	9
Min. ohmic load at output	kOhm	10
Max. capacitive load at output	nF	100
Reverse polarity protection of power supply		yes
Electrical connection		Connector

**Mechanical Datas**

Mechanical range	°	360 (continuous)
Protection rating		IP68 / IP69K
Max. starting torque at specified protection rating (slide bearing)	Ncm	3
Max. starting torque at specified protection rating (ball bearing)	Ncm	0.5
Max. rotating speed (slide bearing)	rpm	120
Max. rotating speed (ball bearing)	rpm	6000
Min. life (slide bearing)	movements	50 Mio.
Min. life (ball bearing)	movements	360 Mio.
Max. permitted axial shaft load (slide bearing/ball bearing)	N	10 / 30
Max. permitted radial shaft load (slide bearing/ball bearing)	N	10 / 40
Operating & storage temperature (5 V supply)	°C	-40...+125*
Operating & storage temperature (24 V supply)	°C	-40...+85
EN 60068-2-6, vibration (Amax = 0.75 mm, f = 5–2,000 Hz)	g	20
EN 60068-2-27, shock	g	50

**Features**

- High range of electronic and mechanic moduls
- Compatible to market standards
- Fully potted electronics with high-end resin (two-chambersystem)
- Custom output characteristics
- Custom version on request
- 5V interface output range within 2% ... 98% Ub possible
- Contactless measuring method

# Vert-X 26 - 5V / 10 ... 90% Ub / Redundant

2631-736225SQ6



Image may differ from original

\* +130°C/1h

## Standards

according to EN ISO 14982, Emission, Immission, ESD		alle Normenanforderungen erfüllt
EN 55011, Emission (Cl. B)		max. 30 (Kl. B)
EN 61000-4-2, ESD (contact discharge / air discharge)	kV	±4 / ±8
EN 61000-4-3, Immission HF radiated (80–1000 MHz/1.4–2.7 GHz)	V/m	100
EN 61000-4-4, Burst (on all lines)	kV	±1
EN 61000-4-5, Surge (lines to ground)	kV	±1
EN 61000-4-6, Immission HF conducted (0.15–80 MHz)	Vemf	10
EN 61000-4-8, Immission magnetic field (50 Hz)	A/m	300
EN 60393-1, Insulation resistance (500 VDC, 1 bar, 2s)	GOhm	20
EN 60393-1, Dielectric strength (VAC, 50 Hz, 1 min, 1 bar)	kV	4

## Options

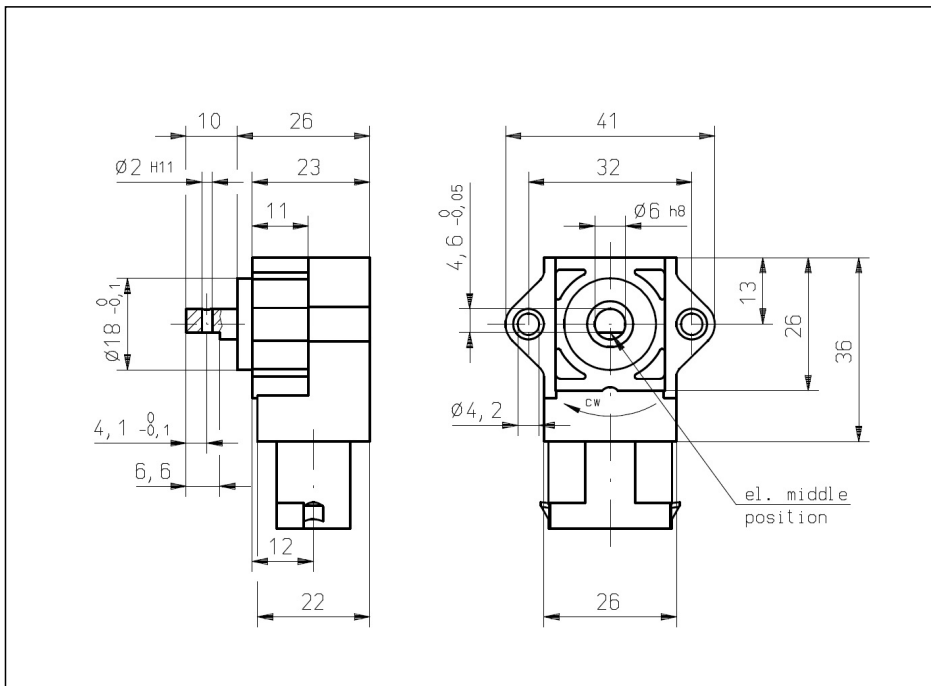
Custom shaft design

Interface x% to y% operating voltage (within 2% to 98% operating voltage)

Sample rate in fast mode

Special electrical angle between 30 and 360° (ex factory)

Indep. linearity of ±0.3% measuring range



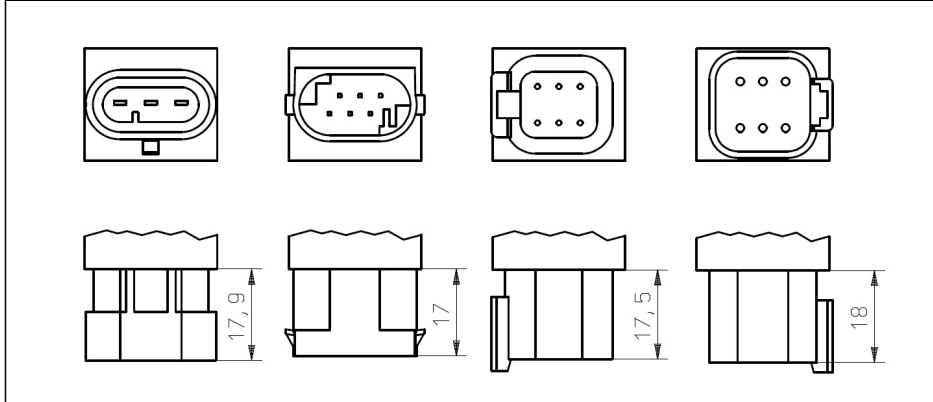
Vert-X 2631 / Vert-X 2641

# Vert-X 26 - 5V / 10 ... 90% Ub / Redundant

2631-736225SQ6



Image may differ from original



## Connector

- AMP Superseal 3pol 1)
- AMP MQS 6pol 2)
- Deutsch DTM04-6P 3)
- Deutsch DT04-6P 4)

## Counter Connector

- TE-Nr.: 282087-1 1)
- AMP-Nr.: 1-967616-1 2)
- Deutsch DTM06-6S 3)
- Deutsch DT06-6S 4)