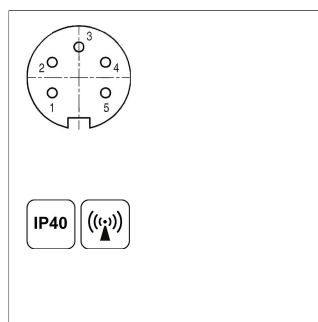
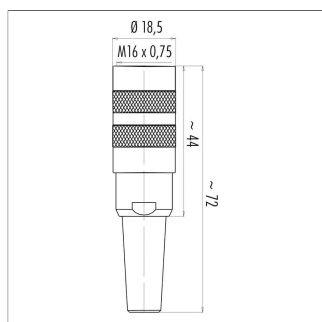
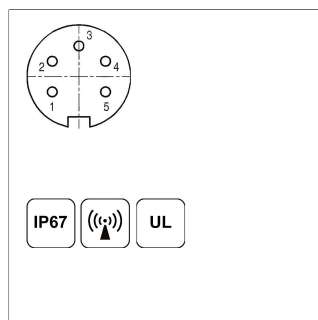
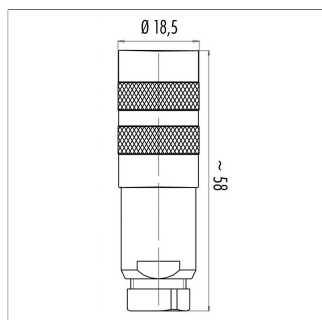


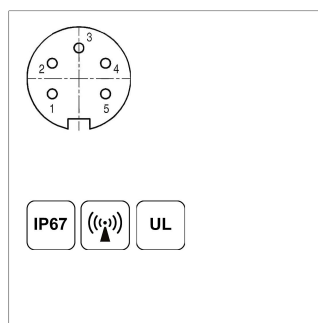
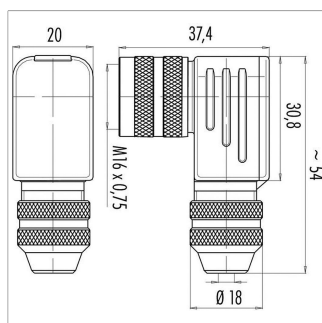
## Connector System M16



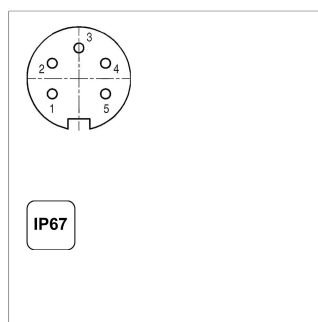
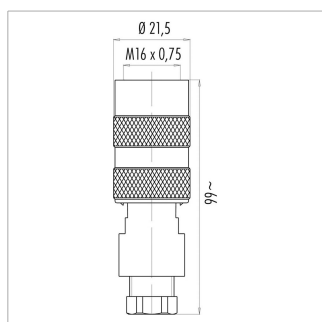
**EEM-33-71**  
M16x0.75 Mating female connector, 5-pin, straight, with coupling nut, solder terminal, shielded, IP40  
Plug housing CuZn nickel plated, -40 ... +85°C  
For wire gauge 4 ... 6 mm, max. 0.75 mm<sup>2</sup>  
**P/N** **Type**  
400005612 EEM-33-71



**EEM-33-76**  
M16x0.75 Mating female connector, 5-pin, straight, with coupling nut, solder terminal, shielded, IP67  
Plug housing CuZn nickel plated, -40 ... +95°C  
For wire gauge 4 ... 6 mm, PG7 max. 0.75 mm<sup>2</sup>  
**P/N** **Type**  
400005614 EEM-33-76

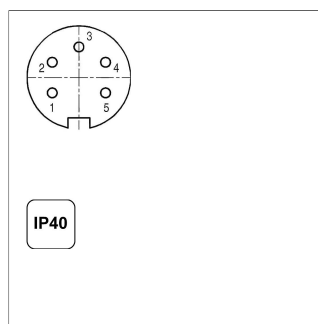
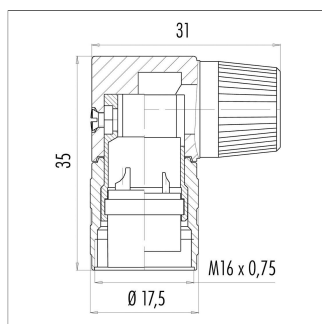


**EEM-33-77**  
M16x0.75 Mating female connector, 5-pin, angled, with coupling nut, solder terminal, shielded, IP67  
Plug housing CuZn nickel plated, -40 ... +95°C  
For wire gauge 4 ... 6 mm, PG7 max. 0.75 mm<sup>2</sup>  
**P/N** **Type**  
400005615 EEM-33-77



**EEM-33-70**  
M16x0.75 Mating female connector, 5-pin, straight, with coupling nut, solder terminal, unshielded, IP67  
Plug housing PA, -40 ... +95°C  
For wire gauge 4 ... 6 mm, max. 0.75 mm<sup>2</sup>  
**P/N** **Type**  
400005611 EEM-33-70

## Connector System M16



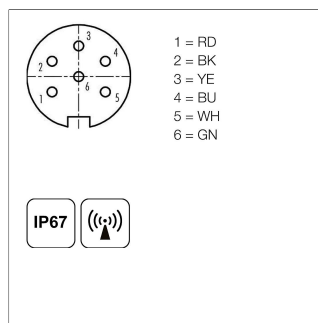
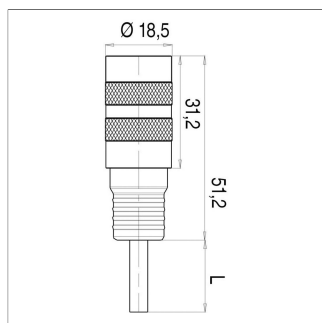
### EEM-33-72

M16x0.75 Mating female connector, 5-pin, angled, with coupling nut, solder terminal, unshielded, IP40

Plug housing PA, -40 ... +85°C

For wire gauge 6 ... 8 mm, max. 0.75 mm<sup>2</sup>

P/N	Type
40005613	EEM-33-72



### EEM-33-26

M16x0.75 Mating female connector, 6-pin, straight, with molded cable, shielded, IP67, open ended

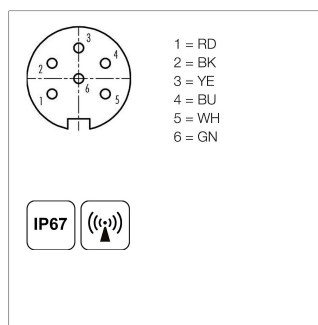
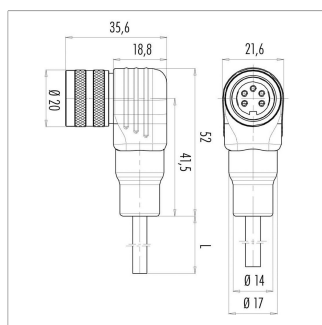
Use in combination with 5-pin M16 connectors possible, than pin 6/GN is open.

Plug housing PUR

Cable sheath PUR, Ø = max. 6 mm, -5 ... +70°C (moved)  
-20 ... +70°C (fixed)

Lead wires PVC, 6x0.25 mm<sup>2</sup>

P/N	Type	Length
400056126	EEM-33-26	2 m



### EEM-33-27

M16x0.75 Mating female connector, 6-pin, angled, with molded cable, shielded, IP67, open ended

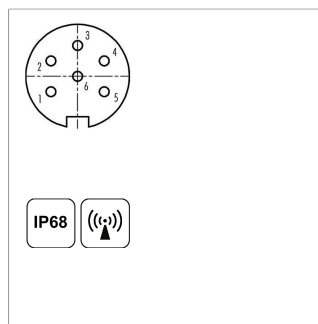
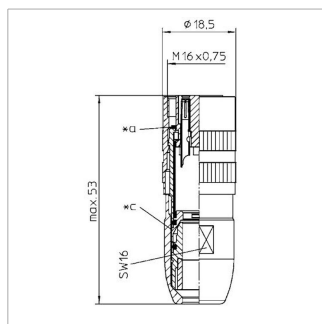
Use in combination with 5-pin M16 connectors possible, than pin 6/GN is open.

Plug housing PUR

Cable sheath PUR, Ø = max. 6 mm, -5 ... +70°C (moved)  
-20 ... +70°C (fixed)

Lead wires PVC, 6x0.25 mm<sup>2</sup>

P/N	Type	Length
400056127	EEM-33-27	2 m



### EEM-33-82

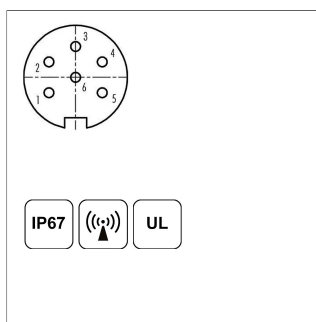
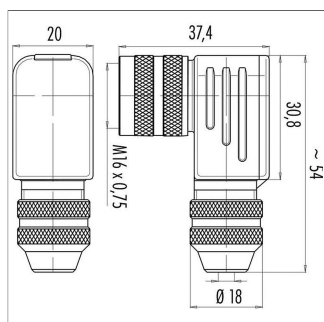
M16x0.75 Mating female connector, 6-pin, straight, with coupling nut, solder terminal, shielded, IP68

Plug housing CuZn nickel plated, -40 ... +85°C

For wire gauge 4 ... 8 mm, max. 0.75 mm<sup>2</sup>

P/N	Type
40005639	EEM-33-82

## Connector System M16

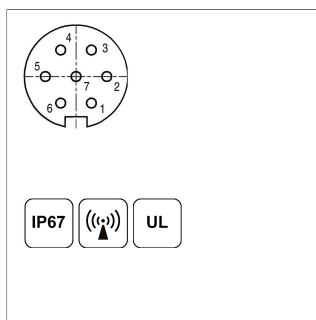
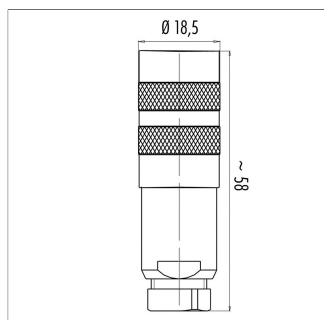


**EEM-33-94**  
M16x0.75 Mating female connector, 6-pin, angled, with coupling nut, solder terminal, shielded, IP67

Plug housing CuZn nickel plated, -40 ... +95°C

For wire gauge 6 ... 8 mm, PG9  
max. 0.75 mm<sup>2</sup>

P/N	Type
400005648	EEM-33-94

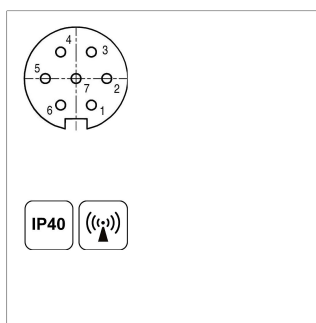
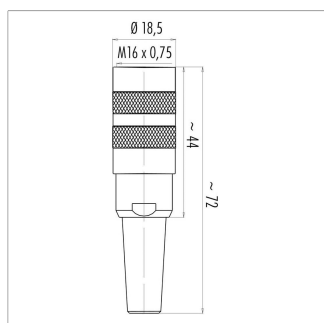


**EEM-33-78**  
M16x0.75 Mating female connector, 7-pin, straight, with coupling nut, solder terminal, shielded, IP67

Plug housing CuZn nickel plated, -40 ... +95°C

For wire gauge 4 ... 6 mm, PG7  
max. 0.75 mm<sup>2</sup>

P/N	Type
400005621	EEM-33-78

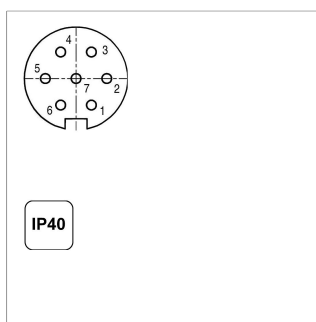
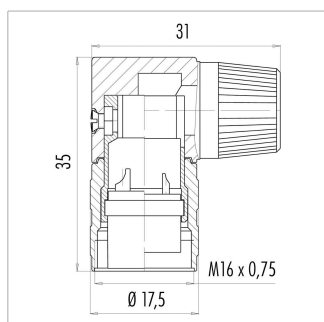


**EEM-33-79**  
M16x0.75 Mating female connector, 7-pin, straight, with coupling nut, solder terminal, shielded, IP40

Plug housing CuZn nickel plated, -40 ... +85°C

For wire gauge 4 ... 6 mm, max. 0.75 mm<sup>2</sup>

P/N	Type
400005622	EEM-33-79



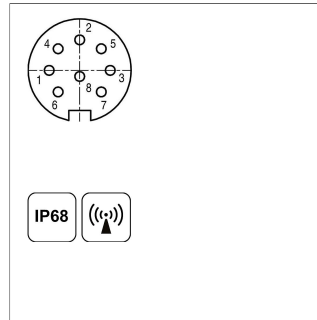
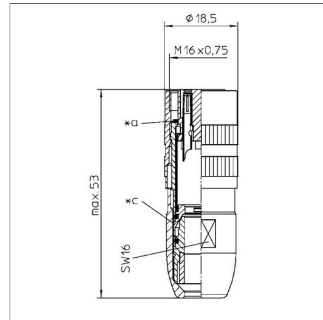
**EEM-33-80**  
M16x0.75 Mating female connector, 7-pin, angled, with coupling nut, solder terminal, unshielded, IP40

Plug housing PA, -40 ... +85°C

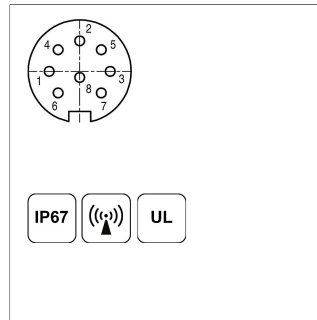
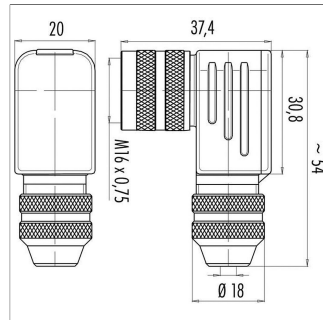
For wire gauge 6 ... 8 mm, max. 0.75 mm<sup>2</sup>

P/N	Type
400005623	EEM-33-80

## Connector System M16



**EEM-33-84**  
M16x0.75 Mating female connector, 8-pin, straight, with coupling nut, solder terminal, shielded, IP68  
Plug housing CuZn nickel plated, -40 ... +85°C  
For wire gauge 4 ... 8 mm, max. 0.75 mm<sup>2</sup>  
**P/N** 400005627 **Type** EEM-33-84



**EEM-33-85**  
M16x0.75 Mating female connector, 8-pin, angled, with coupling nut, solder terminal, shielded, IP67  
Plug housing CuZn nickel plated, -40 ... +95°C  
For wire gauge 6 ... 8 mm, PG9 max. 0.75 mm<sup>2</sup>  
**P/N** 400005628 **Type** EEM-33-85

**IP67** Protection class IP67 DIN EN 60529  
**IP68** Protection class IP68 DIN EN 60529

Very good Electromagnetic Compatibility (EMC) and shield systems  
 Very good resistance to oils, coolants and lubricants

**C** Suited for applications in dragchains  
**UL** UL - approved

CAN-Bus

Novotechnik U.S., Inc.  
155 Northboro Road

Southborough, MA 01772  
Phone 508 485 2244  
Fax 508 485 2430  
info@novotechnik.com  
www.novotechnik.com



© Jun 13, 2019

The specifications contained in our datasheets are intended solely for informational purposes. The documented specification values are based on ideal operational and environmental conditions and can vary significantly depending on the actual customer application. Using our products at or close to one or more of the specified performance ranges can lead to limitations regarding other performance parameters. It is therefore necessary that the end user verifies relevant performance parameters in the intended application. We reserve the right to change product specifications without notice.