



Vert-X 37 - 5V / SPI

Applications

- Agricultural machines
- Construction machines
- Forest machines
- Special purpose vehicles

Features

- Robust design, sealed stainless steel housing
- Contactless measuring method
- Long life
- High accuracy of measurement
- Applications under adverse ambient conditions possible (humidity, dampness, dust, vibrations etc.)
- Full resolution and accuracy at programmed electrical angle

Sensor principle		MH-C	MH-C2
Electrical data			
Measuring range	°	0 ... 360	-
Indep. linearity	% of meas. range	±0.3	-
Max. hysteresis	°	0.1	-
Resolution	bit	14	-
Max. repeatability	°	0.1	-
Sample rate fast mode	kHz	2.2	-
Sample rate slow mode	kHz	(0.55)	-
System propagation delay fast mode	µs	400	-
System propagation delay slow mode	µs	(600)	-
Max. temperature coefficient of the output signal	ppm/°K	25	-
MTTFd / MTBF	years	668 / 668	-
Power supply voltage	VDC	5 (±10%)	-
Current consumption without load (typ.) fast mode	mA	14	-
Current consumption without load (typ.) slow mode	mA	(9)	-
Min. ohmic load at output	kOhm	-	-
Max. capacitive load at output	nF	-	-
Reverse polarity protection of power supply		yes	-
Electrical connection (s = shielded)		Cable 6pole, s	-
Cross section of single wires	mm ²	0.56 (AWG20)	-
Redundancy feasible		yes	-
Electrical connection redundant (s = shielded)		Cable 10pole, s	-
Cross section of single wires redundant	mm ²	0.09 (AWG28)	-
Mechanical data			
Mechanical range	°	360 (continuous)	-
Protection class		IP54 / IP68	-
Max. starting torque at specified protection class	Ncm	0.5 / 6	-
Max. rotating speed	rpm	3000	-
Min. life	movements	360 Mio.	-
Max. permitted axial shaft load	N	250	-
Max. permitted radial shaft load	N	100	-
Operating & storage temperature	°C	-40 ... +125	-
IEC 68-2-6 Vibration (Amax = 0.75mm, f = 5 ... 2000 Hz)	g	20	-
IEC 68-2-27 Shock	g	50	-
Standards			
EN 55022 class B, Emission radiated (30... 230 MHz)	dB(µV/m)	max. 30	-
EN 55022 class B, Emission radiated (230...1000MHz)	dB(µV/m)	max. 37	-
EN 61000-4-2, ESD (contact discharge / air discharge)	kV	±4 / ±8	-
EN 61000-4-3, Immision HF radiated (80... 1000 MHz)	V/m	30	-
EN 61000-4-4, Burst (on all lines)	kV	±1	-
EN 61000-4-5, Surge (lines to ground)	kV	±1	-
EN 61000-4-6, Immision HF conducted (0.15...80MHz)	Vemk	10	-
EN 61000-4-8, Immision magnetic field (50Hz)	A/m	30	-
IEC 60393-1 Insulation resistance (500VDC, 1bar, 2s)	GOhm	20	-
IEC 60393-1 Dielectric strength (VAC, 50Hz, 1min, 1bar)	kV	1	-

Errors and omissions excepted. Subject to change without notice. / State: 28.09.10

Contelec AG
 Portstrasse 38
 CH-2503 Biel/Bienne
 Phone +41 (0)32 3665600
 Telefax +41 (0)32 3665604
 sales@contelec.ch

CONTELEC
 A company of the Siedle-Group



Vert-X 37 - 5V / SPI
Ordering code

Vert-X	3	7	2	2	7	3	6	2	8	1	6	0	2																																																															
<p>Output characteristics</p> <table border="0"> <tr><td>Positive gradient CW</td><td>Standard</td><td>1</td></tr> <tr><td>Positive gradient CCW</td><td>Optional</td><td>2</td></tr> <tr><td>Redundant, positive gradient CW</td><td>Optional</td><td>3</td></tr> <tr><td>Redundant, positive gradient CCW</td><td>Optional</td><td>4</td></tr> <tr><td>Redundant, crossed signal curves</td><td>Optional</td><td>5</td></tr> </table> <p>Output signal</p> <table border="0"> <tr><td>SPI</td><td>Standard</td><td>8</td></tr> </table> <p>Power supply voltage</p> <table border="0"> <tr><td>5VDC</td><td>Standard</td><td>2</td></tr> </table> <p>Electrical connection</p> <table border="0"> <tr><td>1</td><td>Optional</td><td>Round cable 10pole</td></tr> <tr><td>6</td><td>Standard</td><td>Round cable 6pole</td></tr> <tr><td>9</td><td>Optional</td><td>Special cable</td></tr> </table> <p>Length of cable</p> <table border="0"> <tr><td>02</td><td>Standard</td><td>1.0m</td></tr> <tr><td>06</td><td>Optional</td><td>3.0m</td></tr> <tr><td>10</td><td>Optional</td><td>5.0m</td></tr> <tr><td>99</td><td>Optional</td><td>Special length</td></tr> </table> <p>Electrical angle</p> <table border="0"> <tr><td>36</td><td>Standard</td><td>Electrical angle 360°</td></tr> <tr><td>xx</td><td>Optional</td><td>03 to 35; Declaration in 10° steps</td></tr> <tr><td>99</td><td>Optional</td><td>Special angle</td></tr> </table> <p>Sensor principle</p> <table border="0"> <tr><td>7</td><td>MH-C</td><td></td></tr> </table> <p>Mechanical version</p> <table border="0"> <tr><td>3722</td><td>Standard</td><td>Servo mount size 13 ; 10 mm shaft slotted with D-shape ; IP54</td></tr> <tr><td>3762</td><td>Standard</td><td>Servo mount size 13 ; 10 mm shaft slotted with D-shape ; IP68</td></tr> <tr><td>3799</td><td>Optional</td><td>Special housing; special shaft</td></tr> </table>														Positive gradient CW	Standard	1	Positive gradient CCW	Optional	2	Redundant, positive gradient CW	Optional	3	Redundant, positive gradient CCW	Optional	4	Redundant, crossed signal curves	Optional	5	SPI	Standard	8	5VDC	Standard	2	1	Optional	Round cable 10pole	6	Standard	Round cable 6pole	9	Optional	Special cable	02	Standard	1.0m	06	Optional	3.0m	10	Optional	5.0m	99	Optional	Special length	36	Standard	Electrical angle 360°	xx	Optional	03 to 35; Declaration in 10° steps	99	Optional	Special angle	7	MH-C		3722	Standard	Servo mount size 13 ; 10 mm shaft slotted with D-shape ; IP54	3762	Standard	Servo mount size 13 ; 10 mm shaft slotted with D-shape ; IP68	3799	Optional	Special housing; special shaft
Positive gradient CW	Standard	1																																																																										
Positive gradient CCW	Optional	2																																																																										
Redundant, positive gradient CW	Optional	3																																																																										
Redundant, positive gradient CCW	Optional	4																																																																										
Redundant, crossed signal curves	Optional	5																																																																										
SPI	Standard	8																																																																										
5VDC	Standard	2																																																																										
1	Optional	Round cable 10pole																																																																										
6	Standard	Round cable 6pole																																																																										
9	Optional	Special cable																																																																										
02	Standard	1.0m																																																																										
06	Optional	3.0m																																																																										
10	Optional	5.0m																																																																										
99	Optional	Special length																																																																										
36	Standard	Electrical angle 360°																																																																										
xx	Optional	03 to 35; Declaration in 10° steps																																																																										
99	Optional	Special angle																																																																										
7	MH-C																																																																											
3722	Standard	Servo mount size 13 ; 10 mm shaft slotted with D-shape ; IP54																																																																										
3762	Standard	Servo mount size 13 ; 10 mm shaft slotted with D-shape ; IP68																																																																										
3799	Optional	Special housing; special shaft																																																																										

	MH-C	MH-C2
Custom shaft design	X	-
Custom modification of the housing	X	-
Custom cable	X	-
Sample rate in slow mode	X	-
Switch functions TTL (max. 2)	X	-
Special characteristic curve	-	-
Special electrical angle within 30° to 360° (ex factory)	X	-
Electrical angle programmable (Software)	-	-
Start & end point settable (Additional wires)	-	-
Sense of rotation CW/CCW settable / programmable (Additional wires or Software)	-	-
Index point settable / programmable (Additional wires or Software)	-	-

Options (on request)

Errors and omissions excepted. Subject to change without notice. / State: 28.09.10

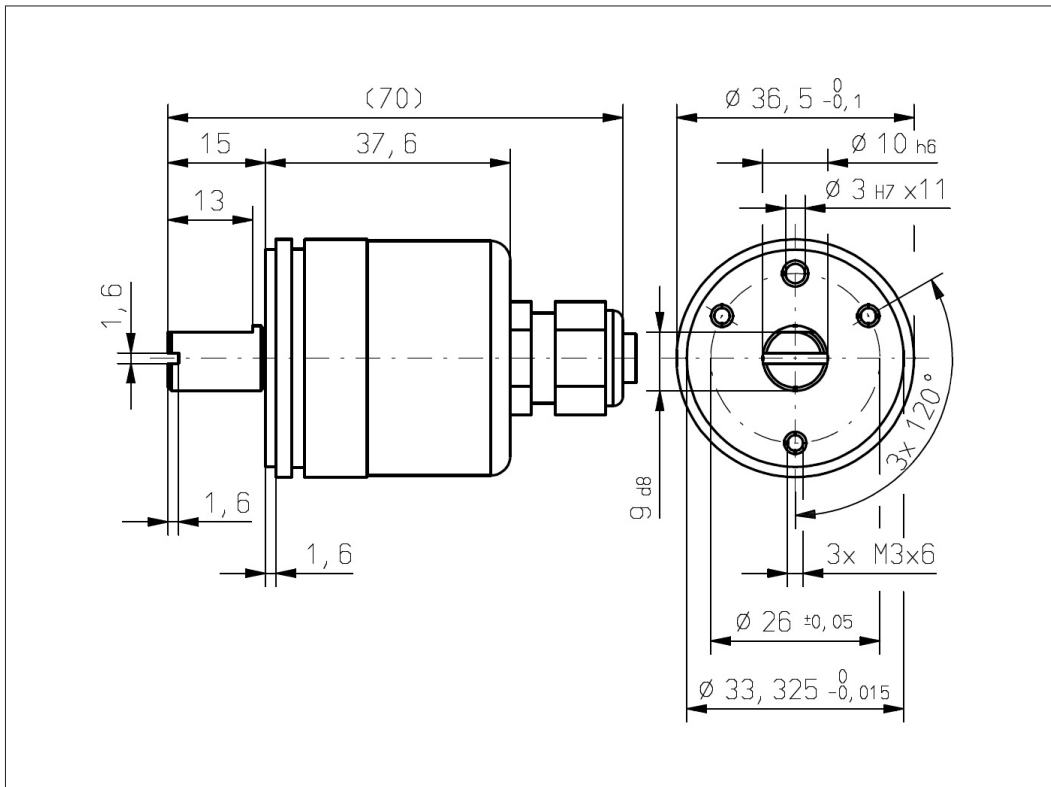
Contelec AG
 Portstrasse 38
 CH-2503 Biel/Bienne
 Phone +41 (0)32 3665600
 Telefax +41 (0)32 3665604
 sales@contelec.ch



Vert-X 37

Accessoires (incl.)

- 3x Fixation clamp
- 3x Slotted cylinder head screw M3x8



Errors and omissions excepted. Subject to change without notice. / State: 28.09.10

Contelec AG
 Portstrasse 38
 CH-2503 Biel/Bienne
 Phone +41 (0)32 3665600
 Telefax +41 (0)32 3665604
 sales@contelec.ch

CONTELEC
 A company of the Siedle-Group